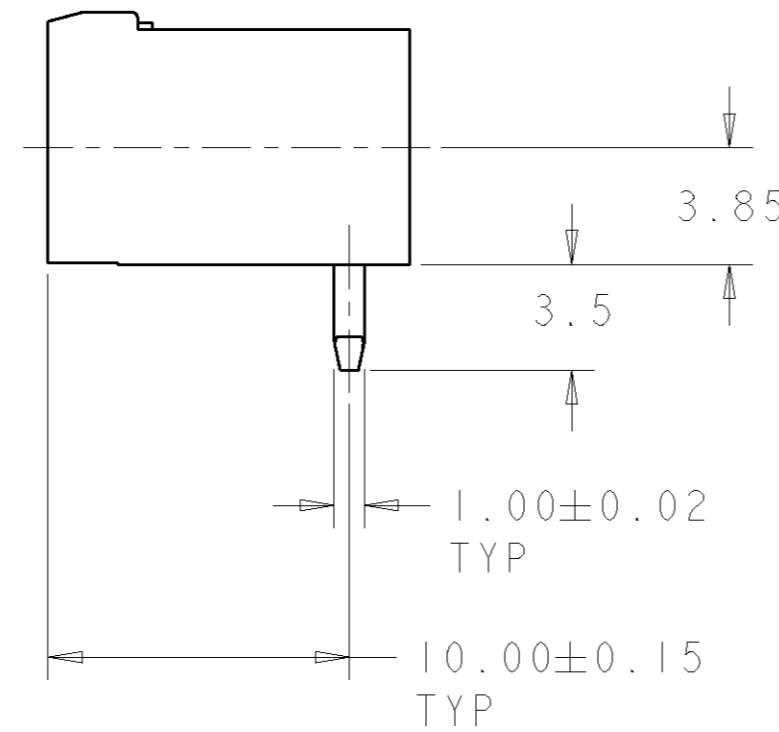
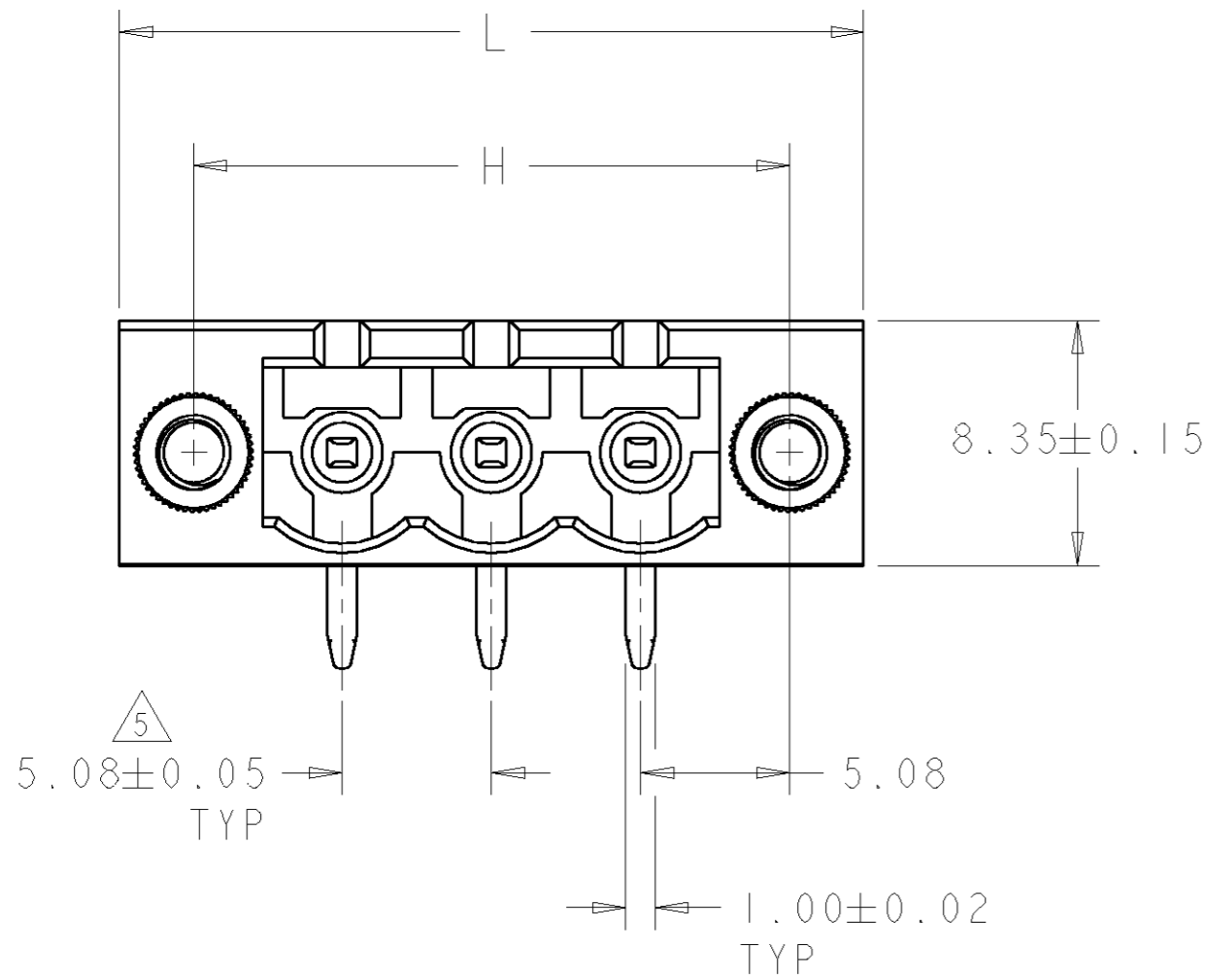
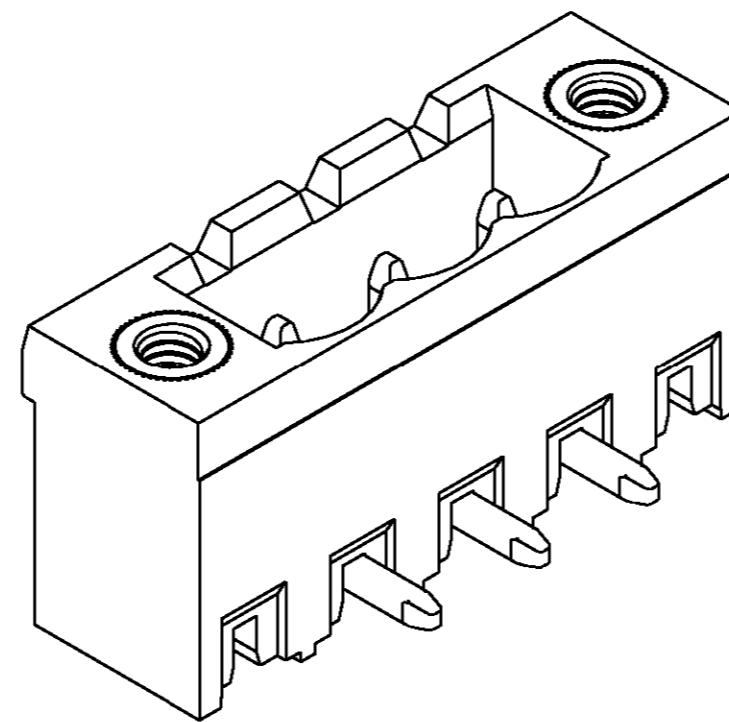
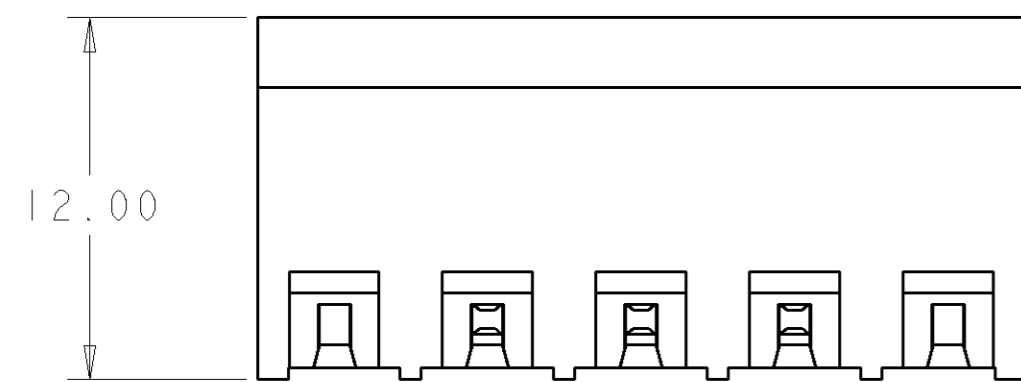


THIS DRAWING IS UNPUBLISHED. RELEASED FOR PUBLICATION 20  
 © COPYRIGHT 20 BY TYCO ELECTRONICS CORPORATION. ALL RIGHTS RESERVED.

LOC		DIST		REVISIONS			
P	LTR	DESCRIPTION	DATE	DWN	APVD		
	A	RELEASED	09FEB2001	SW	DB		
	B	REVISED EC 0G3B-0192-04	14APR2004	SW	CR		

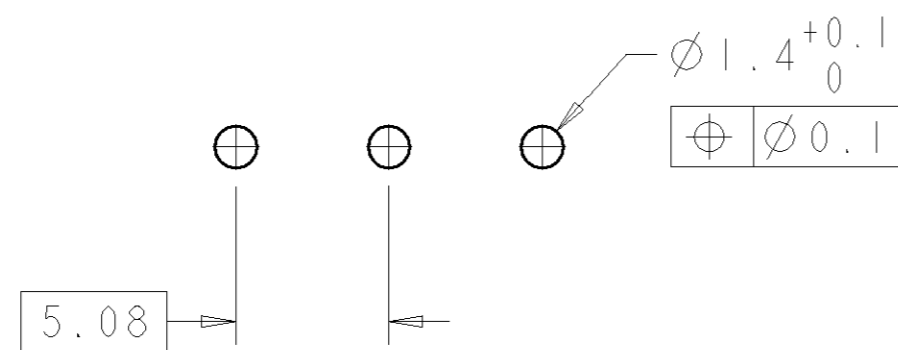


- 1. MATERIALS AND FINISH:  
 HOUSING: PA 6-6, UL 94-V0, COLOR: GREEN.  
 TERMINAL: PHOSPHOR BRONZE, PLATING: SEE TABLE.
- 2. SUITABLE FOR 1,6-2, 4mm PC BOARD THICKNESS.
- 3. RECOGNIZED UNDER THE COMPONENT PROGRAM OF UNDERWRITERS LABORATORIES INC. FILE No. E60677.
- 4. IMQ CERTIFICATE WITH SURVEILLANCE ON CONFORMITY WITH IEC 998-1/998-2-1.
- 5. NOT CUMULATIVE TOLERANCE.



796866-3 AS SHOWN

PRELIMINARY	0.2µm GOLD	35.48	30.48	5	2-796866-4
	TIN	126.92	121.92	23	2-796866-3
	TIN	121.84	116.84	22	2-796866-2
	TIN	116.76	111.76	21	2-796866-1
	TIN	111.68	106.68	20	2-796866-0
	TIN	106.60	101.60	19	1-796866-9
	TIN	101.52	96.52	18	1-796866-8
	TIN	96.44	91.44	17	1-796866-7
	TIN	91.36	86.36	16	1-796866-6
	TIN	86.28	81.28	15	1-796866-5
	TIN	81.20	76.20	14	1-796866-4
	TIN	76.12	71.12	13	1-796866-3
	TIN	71.04	66.04	12	1-796866-2
	TIN	65.96	60.96	11	1-796866-1
	TIN	60.88	55.88	10	1-796866-0
	TIN	55.80	50.80	9	796866-9
	TIN	50.72	45.72	8	796866-8
	TIN	45.64	40.64	7	796866-7
	TIN	40.56	35.56	6	796866-6
	TIN	35.48	30.48	5	796866-5
	TIN	30.40	24.40	4	796866-4
	TIN	25.32	20.32	3	796866-3
	TIN	20.24	15.24	2	796866-2
TERMINAL PLATING	L	H	NO. OF POSN	PART NUMBER	



RECOMMENDED PC BOARD LAYOUT

THIS DRAWING IS A CONTROLLED DOCUMENT FOR TYCO ELECTRONICS CORPORATION. IT IS SUBJECT TO CHANGE AND THE CONTROLLING ENGINEERING ORGANIZATION SHOULD BE CONTACTED FOR THE LATEST REVISION.		DWN S. WELDON 09FEB2001	Tyco Electronics Harrisburg, PA 17105-3608	
DIMENSIONS: mm		CHK D. BIEVENOUR 09FEB2001	NAME <b>BUCHANAN</b> TERMINAL BLOCK HEADER ASSEMBLY, 90 DEGREE, WITH FLANGE, 5.08mm PITCH	
TOLERANCES UNLESS OTHERWISE SPECIFIED: 0 PLC ± 1 PLC ±0.2 2 PLC ±0.25 3 PLC ±0.000 4 PLC ±0.0000 ANGLES ± FINISH		APVD D. BIEVENOUR 09FEB2001		
MATERIAL		PRODUCT SPEC -	SIZE A2	CAGE CODE 00779
CUSTOMER DRAWING		APPLICATION SPEC -	DRAWING NO. G-796866	RESTRICTED TO -
		WEIGHT -	SCALE 4:1	SHEET 1 OF 1